

# Making

# Gift Bags

from



W  
A  
L  
L  
P  
A  
P  
E  
R

Williams & Co.  
Fine Jewelry

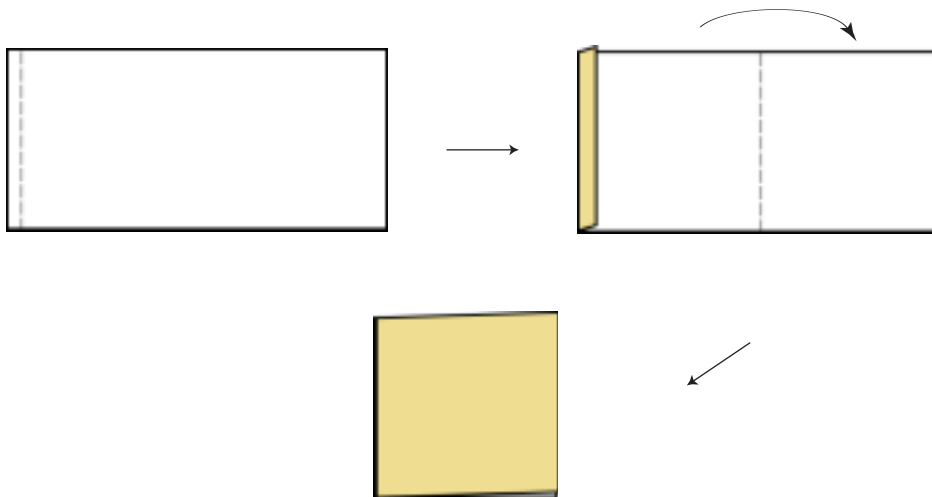
Copyright 1999 Cynthia Snoddy  
Williams & Co. Fine Jewelry

It's easy and fun to make a gift bag from leftover wallpaper or heavy wrapping paper. Wallpaper is easy to find in single rolls at garage sales or flea markets. Just be sure to get the type that is not pre-pasted, or you will find things sticking to the inside of the bag.

A 20 3/4" roll of wallpaper will make a bag about 15 1/2" high, 9 1/2" wide, and 4 3/4" deep. A piece of Tabloid size paper (11" x 17") will make a 9" x 5 1/2" x 3 1/4" bag.

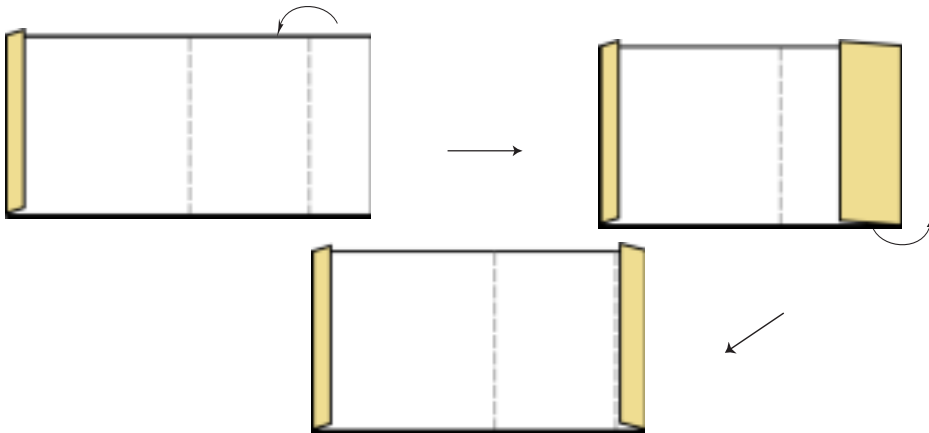
If the weather is very humid, you may find that folding is a little more difficult--the fold lines will not remain crisp for long.

1. Cut a piece of paper approximately twice as long as it is wide, or slightly shorter. Place pattern side down and fold over a 1/2" - 1" piece on the short end; then fold in half:

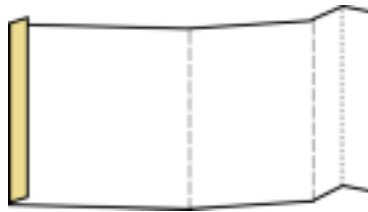


(If you want to reinforce the top edge of the bag, fold down a 1" flap lengthwise along the top edge of the paper.)

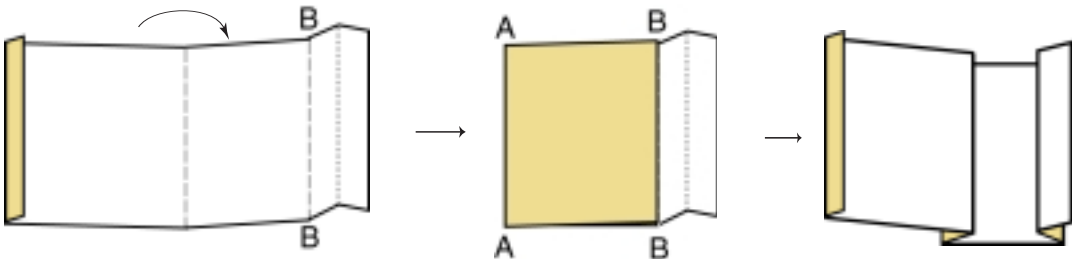
2. Unfold. Fold one end approximately one-third of the way to the centerline, unfold, and fold exactly halfway to that line. This will be the side of the bag:



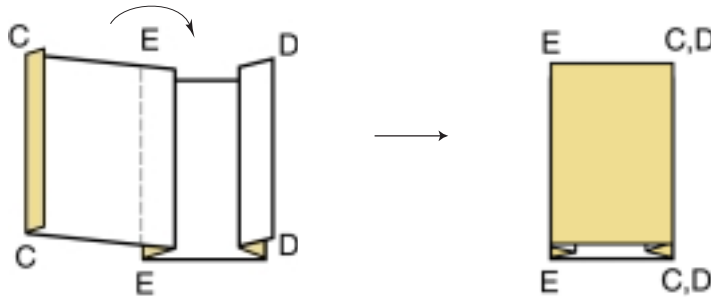
3. Unfold. Refold the last fold in the opposite direction:



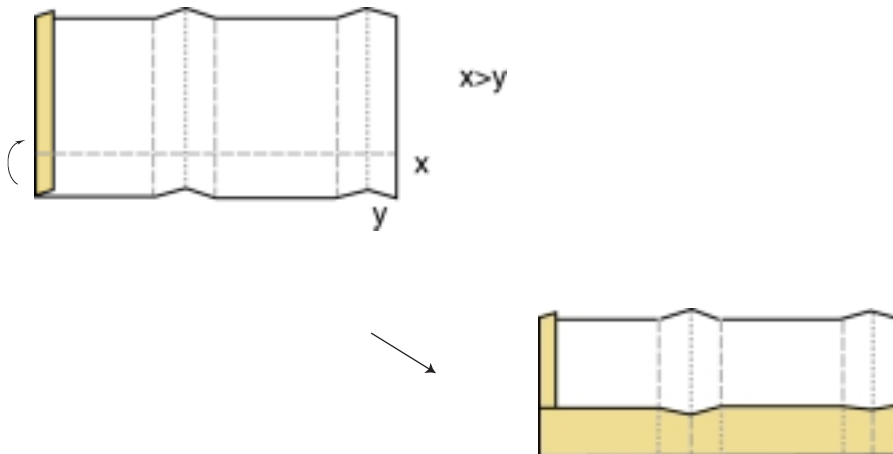
4. Fold other end of paper to line B; crease the fold at A then bend it in the opposite direction:



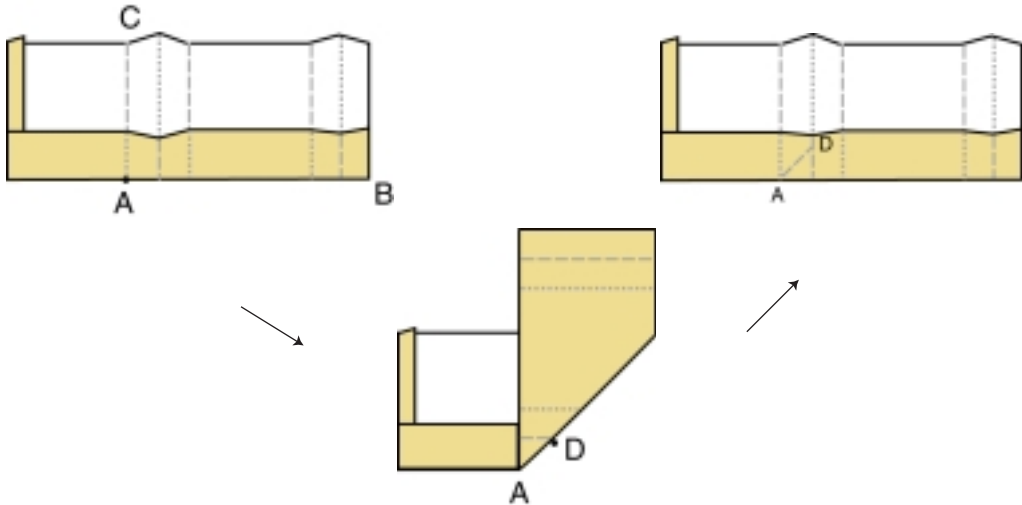
5. Press down the folds and fold line C to line D; crease along line E:



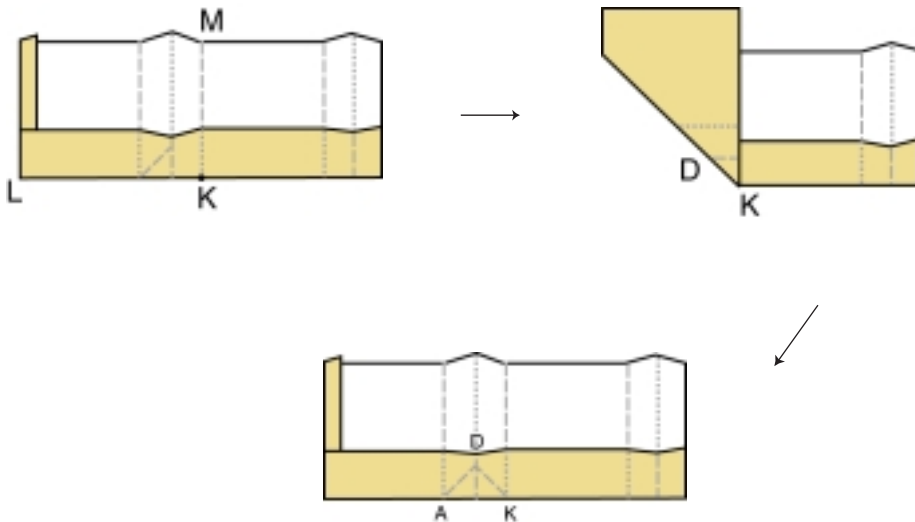
6. Unfold all except the 1" fold; fold up the bottom about one-fourth of the way lengthwise, or to a distance that slightly exceeds the width of one of the side panels. This will be the bottom of the bag:



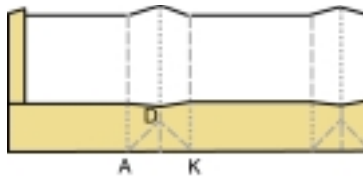
7. Holding your fingernail at point A, fold line A-B up to line A-C and crease line A-D. Unfold.



8. Holding your fingernail at point K, fold line K-L up to line K-M and crease line K-D. Unfold. The angle created by lines A-D and K-D should be a right angle (very important!).



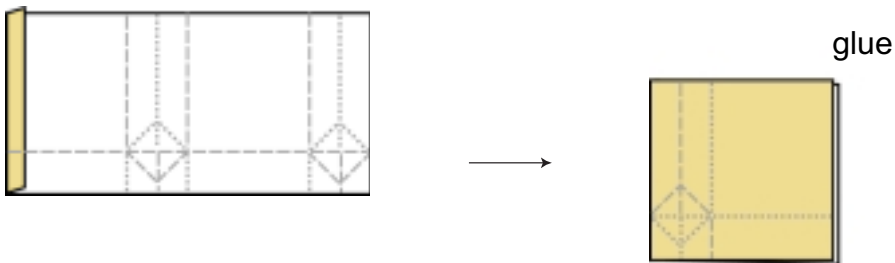
9. These creases allow the side of the bag to fold in properly. Repeat steps 7 and 8 on the other end of the bag:



10. Flip over the bag and re-crease lines A-D and K-D in the opposite direction:



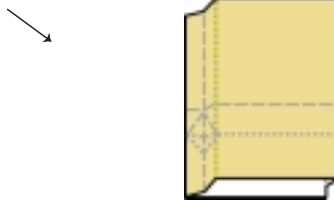
11. Flip bag over again. Unfold the entire bag except for the 1" folded edge. Fold in half and glue, tape, or hotglue along the 1" folded flap:



12. Fold up along line F, at the top of the folded right angle peak. Unfold, flip over, and fold along same line in the opposite direction. Unfold.



13. Open up the bag and tuck in the sides so it looks like it did at the end of Step 5:

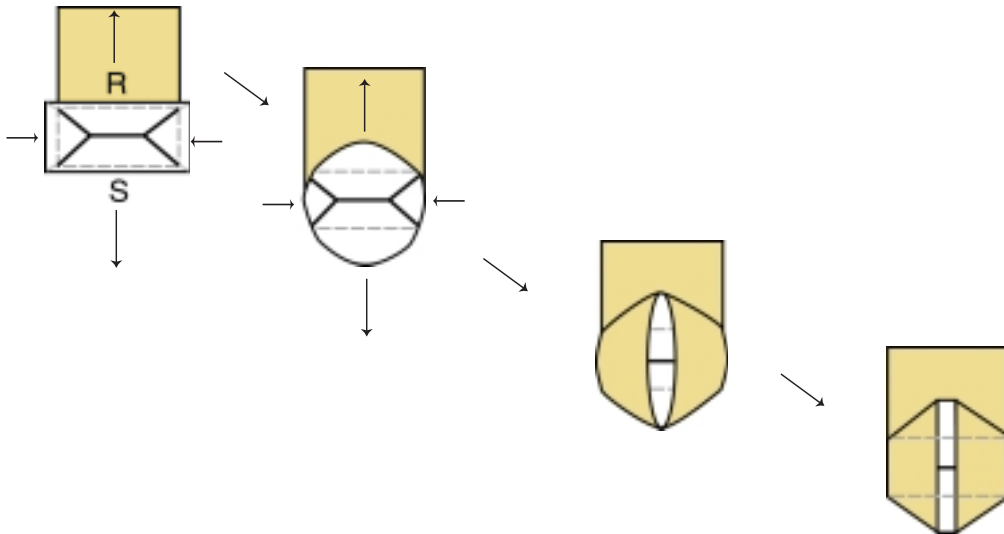




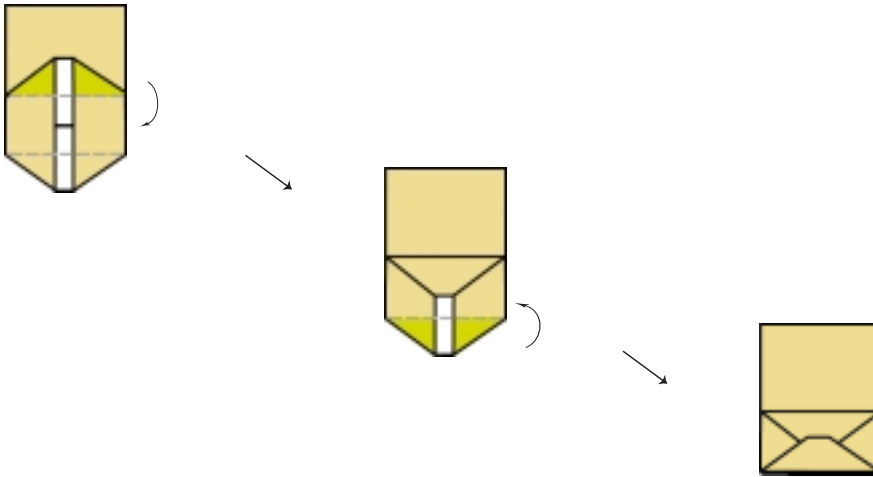
14. Hold the top part of the bag flat and turn up the lower part along line F, allowing the inside bottom of the bag to open. Press your thumbs down at points P and Q to help flatten the bottom of the bag. Flatten down the inside of the bag so it looks like the bottom of a box:



15. With your fingers at points R and S, pull open the top and bottom flaps. The side flaps will come together toward the middle. Flatten all of the flaps:



16. Put some glue or tape along the upper flap in the shaded area, avoiding the open parts, and fold down. Repeat with lower flap.

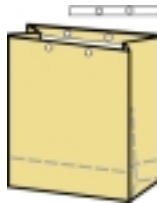


17. Open up the bag. Voila!



## 18. Embellishments (reinforcement, handles):

- Fold top edge of bag down 1" to reinforce the top of the bag (it would be best to do this at Step 1).
- Cut a piece of cardboard or Bristol board to fit inside the bottom of the bag to strengthen the bottom.
- Cut two narrow strips of cardboard to fit inside the folded down top edge for the front and back sides of the bag. Using a single-hole puncher, punch holes at about  $\frac{1}{3}$  and  $\frac{2}{3}$  of the way across the top edge of the bag, front and back. Punch matching holes in the cardboard strips and glue inside the fold:



- Handles can be made from thick cord, knotting on the inside edge of the punched holes. If your cord is too small to hold a knot you can also tie the ends to each other to make a continuous loop:

